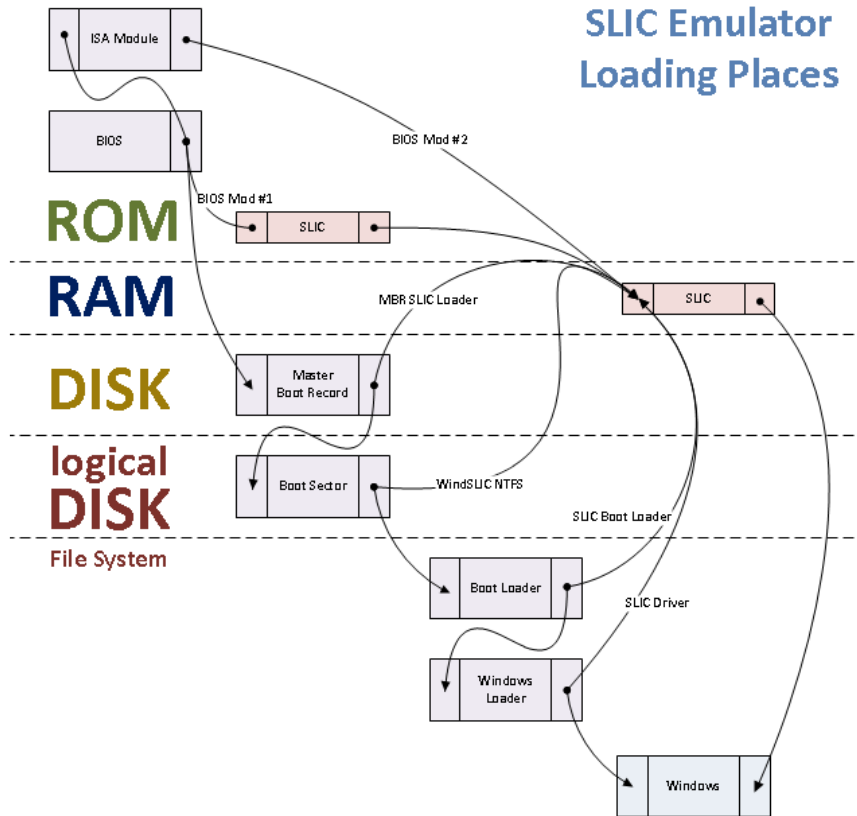


ODIN 1.3.7 By Secr9tos Flormarr



DOWNLOAD: <https://bytly.com/296uq3>



File was found and ready to download!
UPDATED 14 HOURS AGO

Fastest Source: [usenet.nl](https://www.usenet.nl)

Click the **download button** and select one of the found **cloud sources**.

6.4 
2869 VIEWS

Download 

 SECURE SCANNED

You need to [log in](#) before you can post comments.



Navigation



Registration



FAQ

a9c2e16639

Related links:

[Pokemon All Seasons Torrent](#)
[pds ost to pst converter crack](#)
[download software untuk membuat kartu undangan](#)
[call-of-duty-world-at-war patch 1.7 multiplayer crack](#)
[Glarysoft Malware Hunter Pro Patch Crack Free Download](#)
[instructor solutions manual for introduction to java programming comprehensive 8th liang.rar](#)
[Mind And Madness In Ancient Greece Pdf Download](#)
[Mp4 Download Ishq Ka Manjan 2012 Full Movie](#)
[The Nigehbaan The Third Eye Tamil Dubbed Movie Free Download](#)
[Skyfall tamil dubbed movie for torrent download pirate bay](#)